

Semi truck exhaust bends

Truck exhaust 45 degree bends

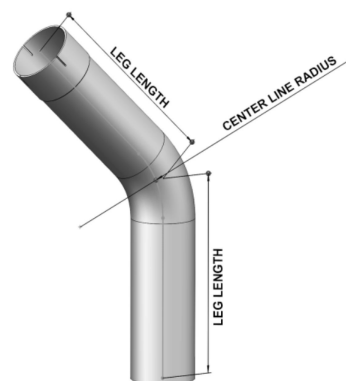
Pipe diameter: 4" / 5"

Center line radius: 6" / 7-1/2"

Leg length: 6-18"

Types: ID / OD

Material: Aluminized steel, Stainless steel SS304,
Chromed steel, Stainless steel SS409



Diameter	Wall thickness	Center line radius	Angle	Leg length A	Leg length B
4"	1.5mm	6"	45 degree	10"	10"
4"	1.5mm	6"	45 degree	14"	14"
4"	1.5mm	6"	45 degree	18"	18"
5"	1.5mm	7-1/2"	45 degree	10"	10"
5"	1.5mm	7-1/2"	45 degree	14"	14"
5"	1.5mm	7-1/2"	45 degree	18"	18"
5"	1.5mm	7-1/2"	45 degree	22"	22"

We offer full OEM customization services for truck exhaust bends—simply provide your drawings or specifications, and we will manufacture strictly according to your requirements with precision and consistent quality.

Semi truck exhaust bends

Truck exhaust 90 degree bends

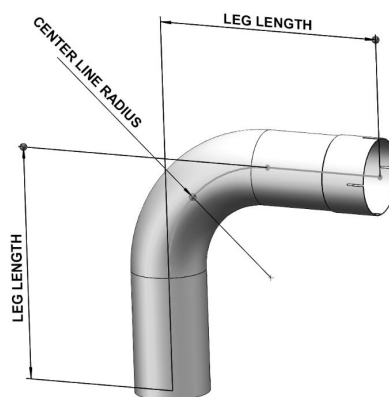
Pipe diameter: 4" / 5"

Center line radius: 6" / 7-1/2"

Leg length: 6-18"

Types: ID / OD

Material: Aluminized steel, Stainless steel SS304,
Chromed steel, Stainless steel SS409



Diameter	Wall thickness	Center line radius	Angle	Leg length A	Leg length B
4"	1.5mm	6"	90 degree	10"	10"
4"	1.5mm	6"	90 degree	14"	14"
4"	1.5mm	6"	90 degree	18"	18"
5"	1.5mm	7-1/2"	90 degree	10"	10"
5"	1.5mm	7-1/2"	90 degree	14"	14"
5"	1.5mm	7-1/2"	90 degree	18"	18"
5"	1.5mm	7-1/2"	90 degree	22"	22"

We offer full OEM customization services for truck exhaust bends—simply provide your drawings or specifications, and we will manufacture strictly according to your requirements with precision and consistent quality.