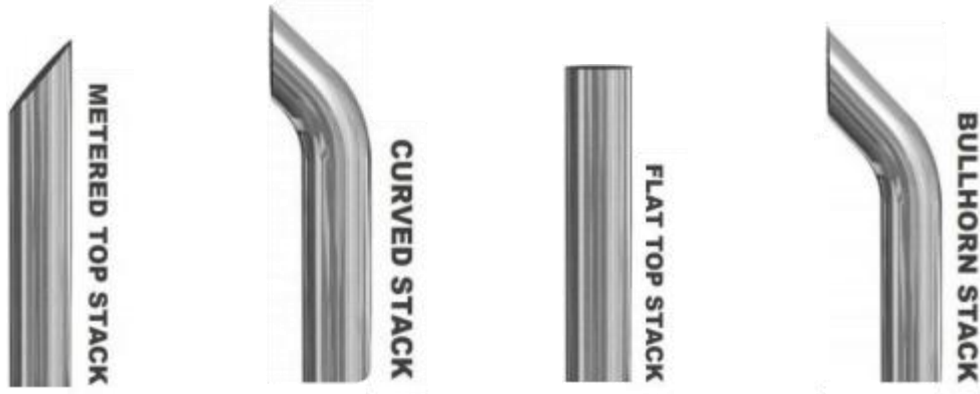




**5 inch**

**Exhaust stacks**

# 5 inch truck exhaust stacks

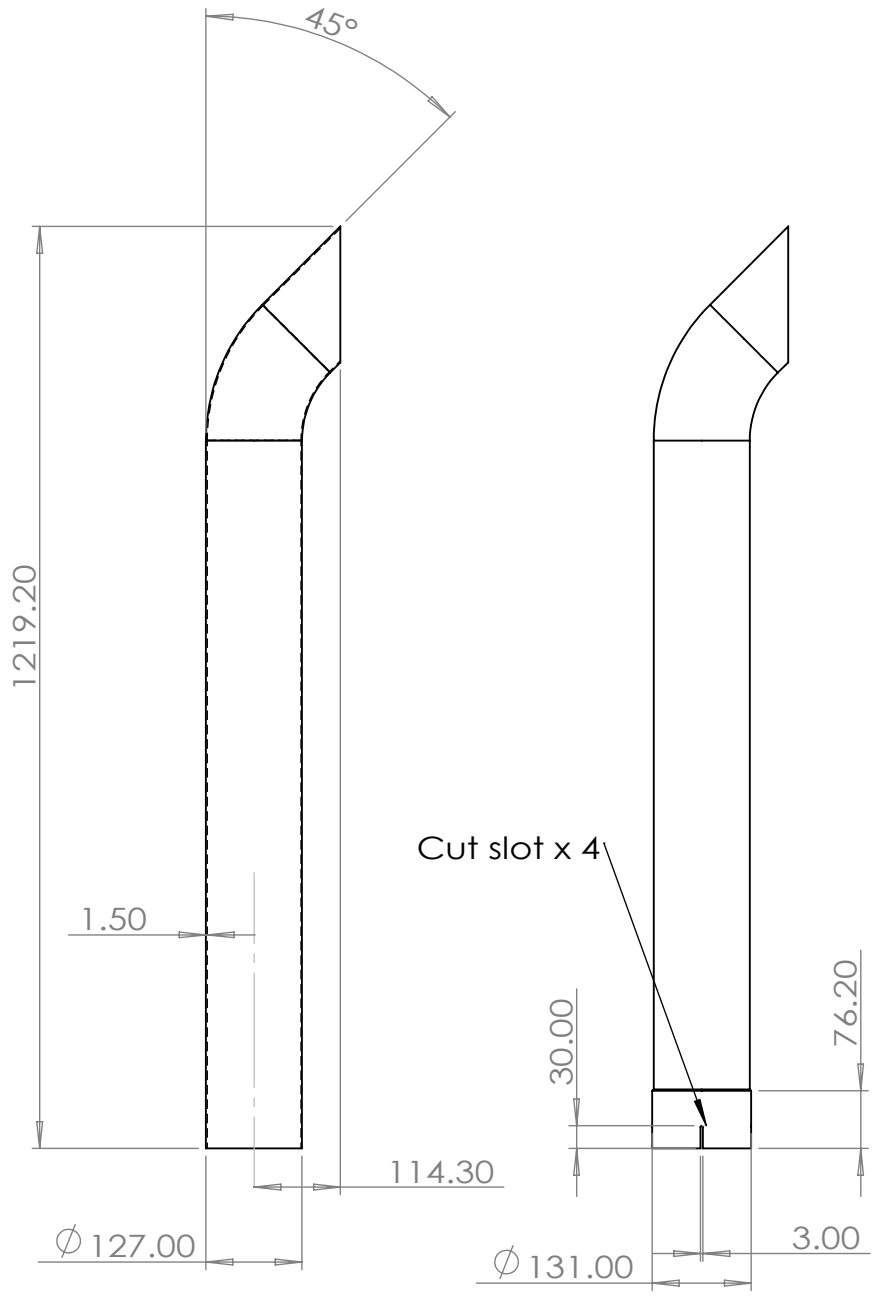


Height	Diameter	Wall thickness	Material #1	Material #2	Material #3	Material #4
24"	5	1.5mm	Chromed steel	Stainless 201	Stainless 304	Aluminized steel
36"	5	1.5mm	Chromed steel	Stainless 201	Stainless 304	Aluminized steel
48"	5	1.5mm	Chromed steel	Stainless 201	Stainless 304	Aluminized steel
60"	5	1.5mm	Chromed steel	Stainless 201	Stainless 304	Aluminized steel
72"	5	1.5mm	Chromed steel	Stainless 201	Stainless 304	Aluminized steel
84"	5	1.5mm	Chromed steel	Stainless 201	Stainless 304	Aluminized steel
96"	5	1.5mm	Chromed steel	Stainless 201	Stainless 304	Aluminized steel
108"	5	1.5mm	Chromed steel	Stainless 201	Stainless 304	Aluminized steel
120"	5	1.5mm	Chromed steel	Stainless 201	Stainless 304	Aluminized steel

We offer full OEM customization services for truck exhaust stacks—simply provide your drawings or specifications, and we will manufacture strictly according to your requirements with precision and consistent quality.



Infende Industries Co.,Ltd



Type #1

Type #2

Dimensions in mm